

AWNING WINDOWS

THERMALLY IMPROVED SUITE - INLINE FRAME



Outer frame & sash corners are mitred, enhancing the clean appearance of the window. All fixings are made from durable stainless steel

Controlled ventilation also allows protection from rain

Lockable chainwinders are fitted as standard

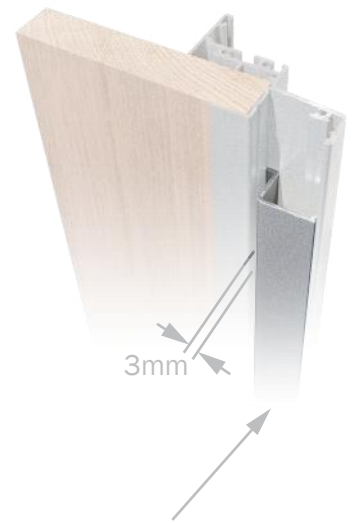
The optional sill flap can be easily fitted to the frame after installation

All glass is installed into dual vinyl sided rebates, ensuring vibration free glazing

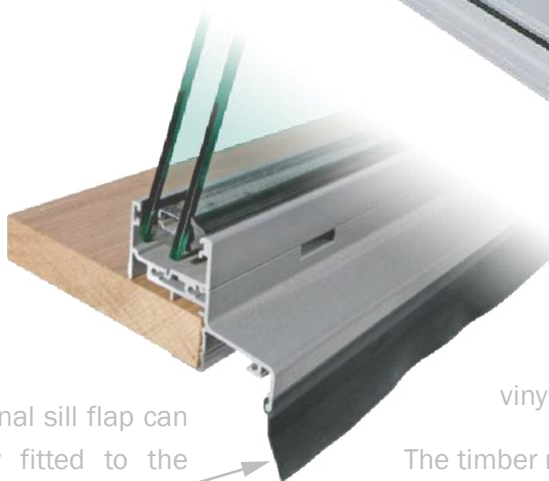
The timber reveal sits inline with the frame's outer face, simplifying installation into a variety of wall types



When fully open, stainless steel, double-action stays help the sash step out slightly at the top, encouraging more efficient ventilation



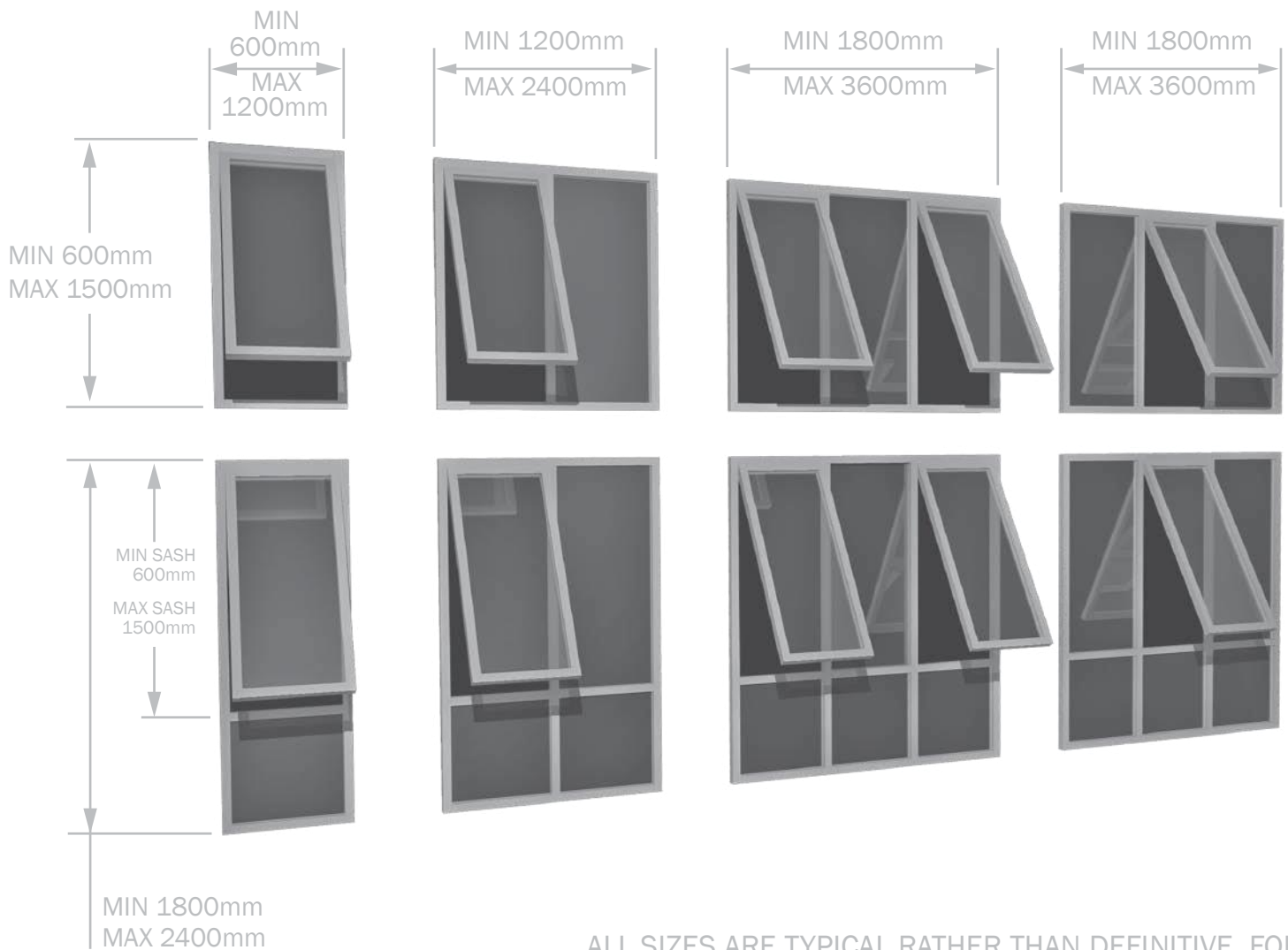
The optional snap-in frame closure has a 15 x 3mm pocket for flashing insertion, whilst the inline reveal simplifies installation into a broad range of construction styles



AWNING WINDOWS



THERMALLY IMPROVED SUITE - INLINE FRAME



NOTE:

ALL SIZES ARE TYPICAL RATHER THAN DEFINITIVE. FOR SIZES OUTSIDE OF THESE (incl. raked windows) PLEASE DISCUSS WITH YOUR VALLEY WINDOWS CONSULTANT

Sizing

Window style & opening detail should be considered as viewed externally

Sizes indicated are the overall window size. Reveal is inline with outer frame dimension.

For Stud openings add 20mm to both height & width

Glazing

Glazing strength to minimum N3 rating as per AS4055 - 2006

Maximum double glazed panel thickness is 22mm

Certification

Certified performance data including WERS ratings are available for this product on request

Specify

Frame colour, configuration, height, width & overall depth

Optional: chainwinder colour, frame infill, sill flap, glass type