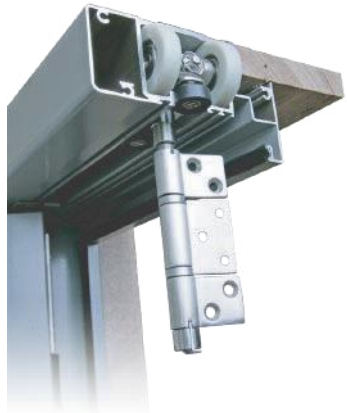


BIFOLD DOOR

THERMALLY IMPROVED SUITE - INLINE FRAME



125mm deep x 75mm high aluminium frame realises exceptional rigidity & clean aesthetics



Centor Architectural bifold carrier sets ensure smooth operation with even the largest double glazed panels.



Centor carrier & hinge sets are supplied in stainless steel & offer broad adjustability both vertically & horizontally.



Flush-bolts are fitted top & bottom on all fold away panels.

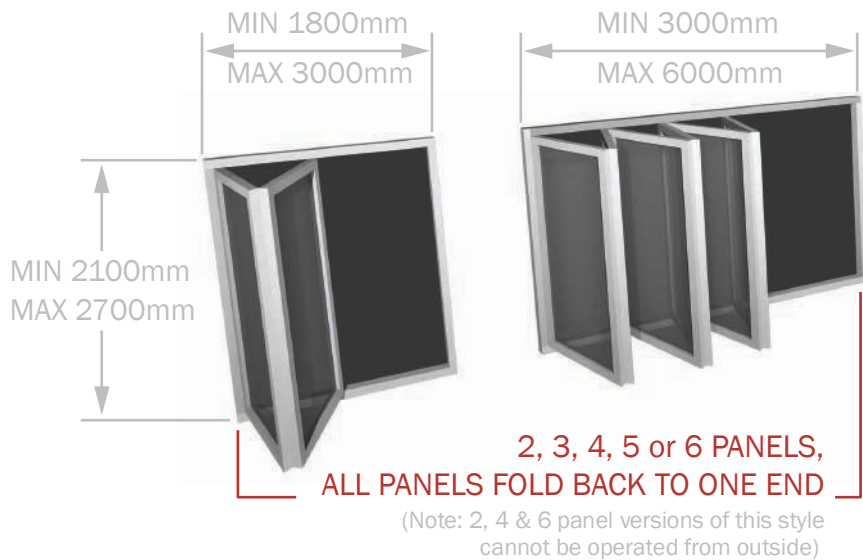
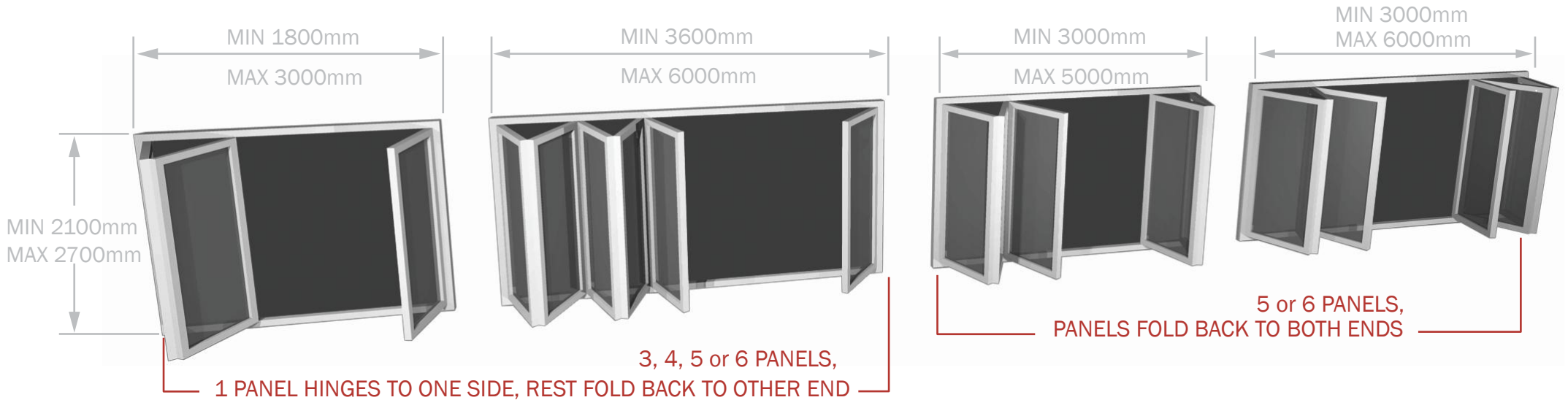


A satin chrome handle operates the Lever Compression Lock & matches the finish of the flush bolts.

A polypropylene guide track concealed in the sill section minimises operating noise. Front drainage is also hidden under a cover flap.

BIFOLD DOOR

THERMALLY IMPROVED SUITE - INLINE FRAME



NOTE: ALL SIZES ARE TYPICAL RATHER THAN DEFINITIVE.
FOR SIZES OUTSIDE OF THESE (eg: servery window)
PLEASE TALK WITH YOUR VALLEY WINDOWS CONSULTANT

Sizing

Door style & opening detail should be considered as viewed externally
Sizes indicated are the overall door size. For Stud openings add 30mm to height, 20mm to width
Max total panel weight = 80kg (Double glazed, 2 x 5mm glass panes = max 2700 x 1000mm panel)

Hardware

Lever Compression Lock for master panel, flush mount lock bolts for all other panels
All hardware is finished in either brushed stainless-steel or satin chrome. To ensure hardware longevity, please refer to the Centor Maintenance brochure available from your Sales Consultant, or online.

Glazing

Glazing strength to minimum N3 rating as per AS4055 - 2006
Glazing to be grade A safety glass

Certification

A glazing certificate will be supplied upon installation of this product

Specify

Frame colour, configuration, height, width & depth, glass type