

SASHLESS DOUBLE-HUNG WINDOW

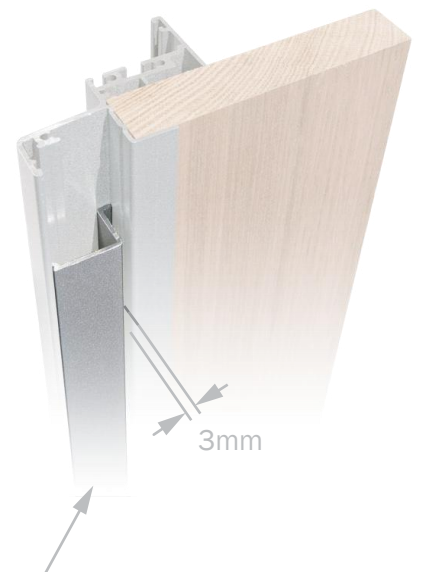
THERMALLY IMPROVED SUITE - INLINE FRAME



The frameless sash inserts are double hung for simultaneous top & bottom ventilation. Counter balancing of the sashes makes for easy operation



Sashes lock either in a 'venting' position, or fully closed



The optional snap-in frame closure has a 15 x 3mm slot for flashing insertion

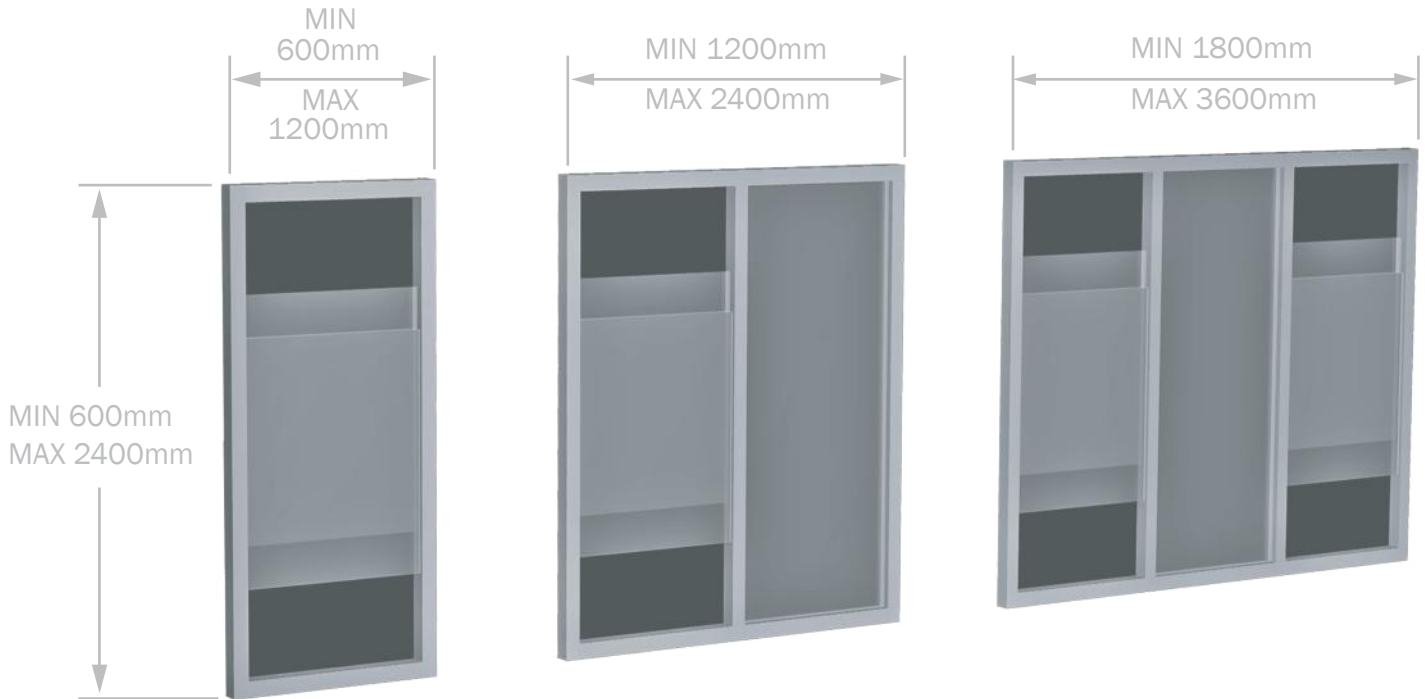
Mitred corners enhance the window's clean appearance. All fixings are made from durable stainless steel

The optional sill flap can be easily fitted to the frame after installation



SASHLESS DOUBLE HUNG WINDOW

THERMALLY IMPROVED SUITE - INLINE FRAME



NOTE: ALL SIZES ARE TYPICAL RATHER THAN DEFINITIVE. FOR SIZES OUTSIDE OF THESE PLEASE DISCUSS WITH YOUR VALLEY WINDOWS CONSULTANT

Sizing

Window style & opening detail should be considered as viewed externally

Sizes indicated are the overall window size. Reveal is inline with outer frame dimension.

For Stud openings add 20mm to both height & width

Glazing

Glazing strength to minimum N3 rating as per AS4055 - 2006

Single glazed versions typically contain 6mm toughened glass

Double glazed versions typically contain 4mm toughened glass, 8mm air space, 4mm toughened glass

Specify

Frame colour, configuration, height, width & overall depth

Optional: flyscreen, frame infill, sill flap, glass type

V10.1